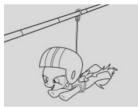


Enjoy an evening of hands on Science, Technology, Engineering, Art and Math (STEAM).

Students and families of all ages are welcome to join us for a fun evening.



- See and handle aquarium animals
- Steer a Remote Operating Vehicle (ROV) through water
- Make slime, and a cloud in a bottle
- Build and launch rockets
- Design a parachute for an egg's safe landing
- Race action figures down a zip line
- Build catapults & knock down targets with trebuchets
- See fossils and microscopic organisms
- Engineer castles and bridges
- Manipulate computer characters at Code.org
- Experience 3-D printing
- Use an infrared camera



...and much more

When: Friday, May 29, 2015, 6 to 8 PM.

Where: Lompoc High School Cafeteria & Surrounding Area.

Concessions will be available on site. No registration required. Children under 16 must be accompanied by an adult.

Some Booth Hosts:

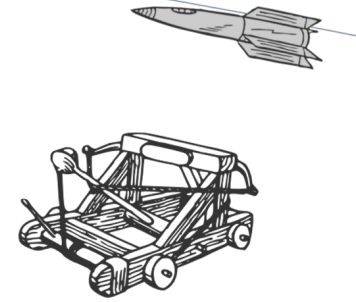
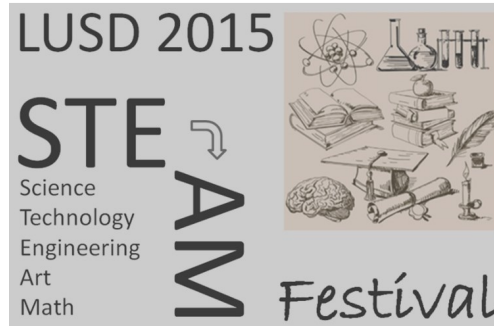
- | | | |
|----------------------------------|------------------------|----------------------------|
| Cal Poly, Mechanical Engineering | LHS STaRS Academy | Society of Woman Engineers |
| UCSB Marine Science Inst. | SpaceX | LHS Visual Arts |
| Sky Dive Santa Barbara | United Launch Alliance | UCANR 4H |
| The Surf Connection | Imerys Lompoc Plant | Miguelito STEM Club |
| VMS Science | Tetra Tech | La Honda Elementary |
| CHS Aquarium | NatureTrack | Hapgood Elementary |



Lompoc Unified School District

www.CCSTEMExpo.org, click on STEAM Festival

STEAM Team

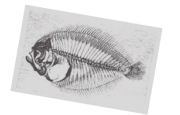


Enjoy an evening of hands on Science, Technology, Engineering, Art and Math (STEAM).

Students and families of all ages are welcome to join us for a fun evening.



- See and handle aquarium animals
- Steer a Remote Operating Vehicle (ROV) through water
- Make slime, and a cloud in a bottle
- Build and launch rockets
- Design a parachute for an egg's safe landing
- Race action figures down a zip line
- Build catapults & knock down targets with trebuchets
- See fossils and microscopic organisms
- Engineer castles and bridges
- Manipulate computer characters at Code.org
- Experience 3-D printing
- Use an infrared camera



...and much more

When: Friday, May 29, 2015, 6 to 8 PM.

Where: Lompoc High School Cafeteria & Surrounding Area.

Concessions will be available on site. No registration required. Children under 16 must be accompanied by an adult.

Some Booth Hosts:

- | | | |
|----------------------------------|------------------------|----------------------------|
| Cal Poly, Mechanical Engineering | LHS STaRS Academy | Society of Woman Engineers |
| UCSB Marine Science Inst. | SpaceX | LHS Visual Arts |
| Sky Dive Santa Barbara | United Launch Alliance | UCANR 4H |
| The Surf Connection | Imerys Lompoc Plant | Miguelito STEM Club |
| VMS Science | Tetra Tech | La Honda Elementary |
| CHS Aquarium | NatureTrack | Hapgood Elementary |



Lompoc Unified School District

www.CCSTEMExpo.org, click on STEAM Festival

STEAM Team